

WOLLENIUM

Bridges

Bond



distributed exclusively in Canada by
WOLLENIUM®

manufactured by
silén



wallenium.ca

Wallenium Partition Walls Inc.
7-1238 Homer Street
Vancouver, BC
V6B 2Y5
CANADA

Certified Quality



Our acoustic pods, manufactured by **Silen**, hold certification under the premier **North American Standard UL 962** for **Canada** and **the USA**. This **certificate** confirms that these products have undergone comprehensive testing as **complete units**.

ASTM E84
CLASS A

As part of the certification, Silen's products have successfully passed the **ASTM E84** standard **fire tests** and have been granted a **Class A rating** in **fire resistance**.



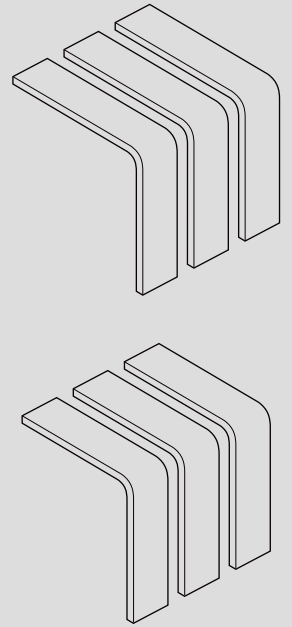
Our commitment to adhering to the **strictest regulations** is reflected in **materials** used in our pods, which are entirely **compliant**. This dedication has resulted in **all Silen booths** achieving **Carbon Neutrality certification**. This certification means that we have **followed The Carbon Neutral Protocol**, to make a clear, credible, and transparent claim of our carbon neutral action.



Product Line

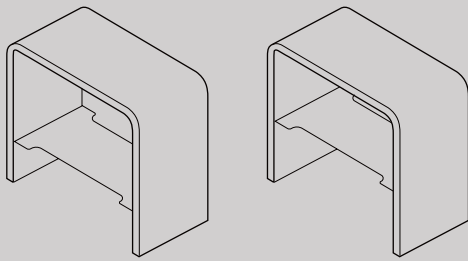
Silen Bridges

Connect your spaces



CONNECT

Huddle up

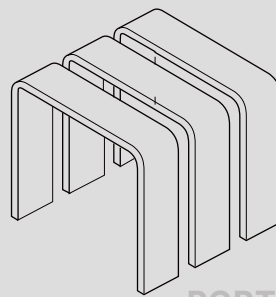
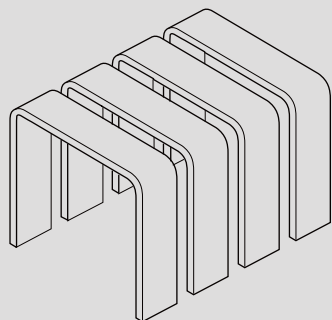
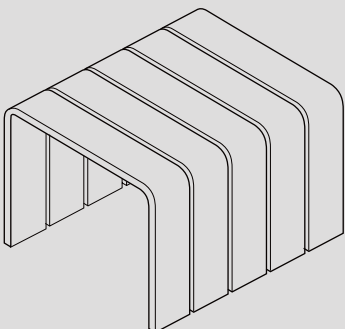


BOND



Summit in style

Bridge the gaps between your spaces



PORTAL

Features

Inner construction panels

Wood, metal, acoustic wool

Screen bracket

VESA mounting with power outlet for screen
*optional (not included)

Cover panels & side trims

Acoustic panels covered with fire resistant & recycled fabrics from **Camira** partnership with the Seaqual initiative. Available in 27 colour shades.



Lighting

The energy-efficient LED lights.
*optional (not included)

Booth/wall fittings

Painted MDF / Metal connectors
(Connect 240/280 only)



Electrical Connection

5m long power cord fed through the ceiling or floor to 120V power outlet.

Plinth

Painted steel

Adjustable legs

For levelling and stability

Carpet

*optional (not included)

Furniture

Lounge chairs, benches, tables and many other options.
*optional (not included)



Mobile, modular, & instantly customizable.





Bond Low

Huddle Up For A Quick Brainstorm

Experience **easy setup**, **mobility** and instant **usability**. **Bridges Bond** create the perfect huddle hub for your **team's brainstorming** sessions or a coffee break. **Sitting height** version also allows to use Bond as an **open workstation** for one person **with improved acoustics** in a loud open office.

* Table included only

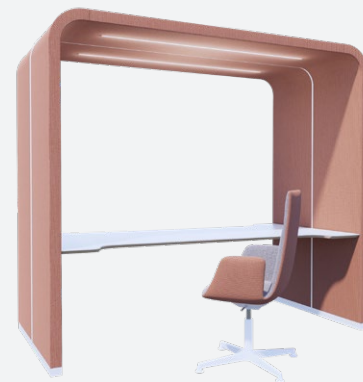
Flexible Setups




 Sea Foam arches

Presentation Space

Conference acoustic booth for team meetings for up to 7 people combined with Bridge Connect with lounge for 4 people.



 Shrimp arches

Private Workstation

Bridge 4-people capacity shared workstation for collaborative meetings combined with Space 4 acoustic video conferencing lounge.



Modular



Mix & match with pods



Create zones



Easy to relocate



Easy to install



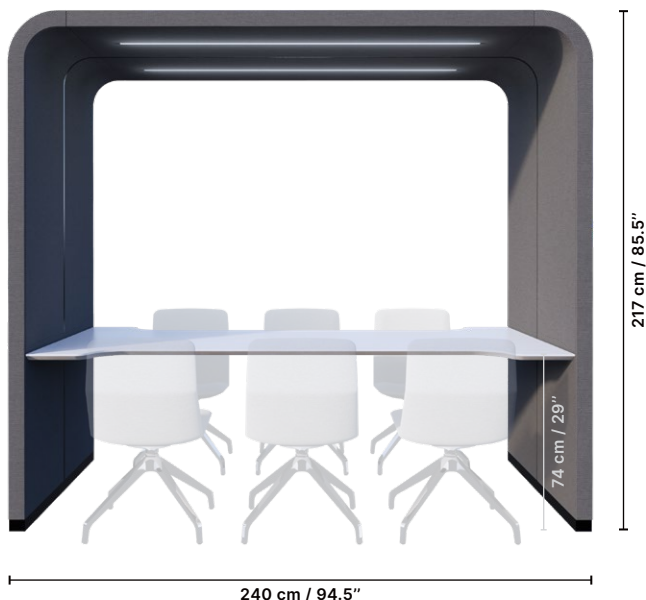
Reusable & recyclable



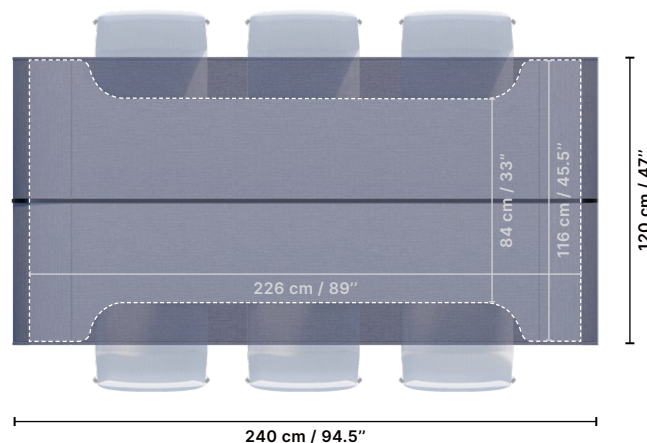
No floor fastening

Measurements

Bond Low



▲ Bridge Bond Low
front view



▲ Bridge Bond Low
top view

Bridges Bond Sitting Height Meeting Zone

Furnished with office chairs & fixed table.

Specification

Capacity

1-6 people

Size

Outer: W cm/in, H cm/in, D cm/in
240/94.5 216/85 120/47

Setup

Freestanding; no fastening needed
2 arches; interconnected
74 cm / 29" high table with cable hatch

Lighting*

LED light; 4000K (3000K per request)
with motion section in each arch;
energy - efficient

Power socket*

2 × 110V + USB-A / USB-C

Power connection

Through the floor or ceiling;
plug to 15 Amp power outlet

Inner construction panels

Wood, metal, acoustic wool

Cover panels & side trims

Acoustic panels covered with 100%
post-consumer recycled polyester
textile including 75% SEAQUAL®
YARN made from sea plastic.

Plinth

Painted steel

Adjustable legs

For leveling and stability

Screen bracket*

VESA 100 × 100 and 200 × 200
mounting with power outlet for
screen

Finish selections

Fixed table

Fenix NTM matte laminate with
plywood edge



Fittings colours



Textiles

Quest fabric selection



* optional

ASTM E84
CLASS A

UL
LISTED US UL 962

CERTIFIED
CARBON
NEUTRAL
Product

**Get Inspired
with Bond Low**



¹ Bridge Bond Low presentation space + V/C ready Space 1.5 booth



² Bridge Bond Low meeting zones

**Get Inspired
with Portal 4**



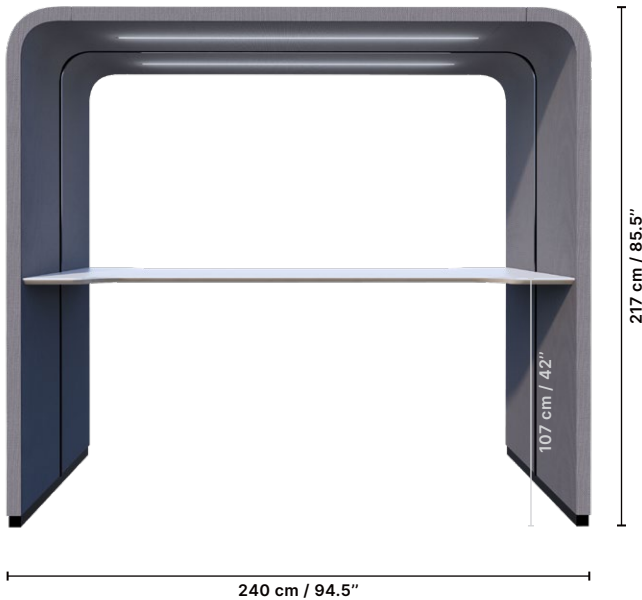
¹ Bridge Portal 4 meeting lounge



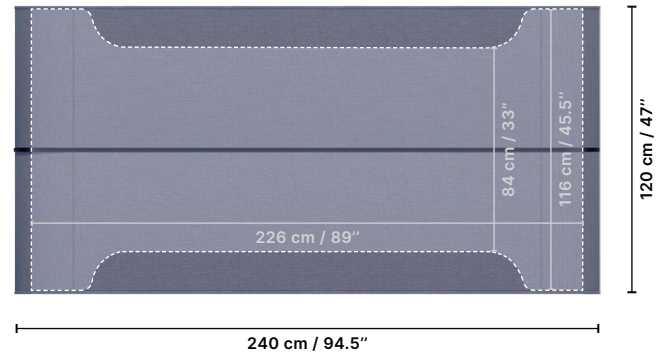
² Space Max 2X presentation space + Bridge Portal 4 co-working zone

Measurements

Bond High



▲ Bridge Bond Low
front view



▲ Bridge Bond Low
top view

Bridges Bond Standing Height Meeting Zone

Furnished with fixed table.

Specification

Capacity

1-6 people

Size

Outer: W cm/in, H cm/in, D cm/in
240/94.5 217/85.5 120/47

Setup

Freestanding; no fastening needed
2 arches; interconnected
107 cm / 42" high table with cable hatch

Lighting*

LED light; 4000K (3000K per request)
with motion section in each arch;
energy - efficient

Power socket*

2 × 110V + USB-A / USB-C

Power connection

Through the floor or ceiling;
plug to 15 Amp power outlet

Inner construction panels

Wood, metal, acoustic wool

Cover panels & side trims

Acoustic panels covered with 100%
post-consumer recycled polyester
textile including 75% SEAQUAL®
YARN made from sea plastic.

Plinth

Painted steel

Adjustable legs

For leveling and stability

Screen bracket*

VESA 100 × 100 and 200 × 200
mounting with power outlet for
screen

Finish selections

Fixed table

Fenix NTM matte laminate with
plywood edge



Fittings colours



Textiles

Quest fabric selection



* optional

ASTM E84
CLASS A

UL LISTED
US UL 962

CERTIFIED
CARBON
NEUTRAL
Product

**Get Inspired
with Bond High**



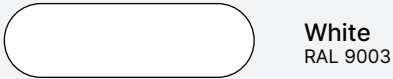
¹ Space 6 conference room + **Bridge Bond High** video conference zone



² **Bridge Bond High** meeting space

Finish Selections

Fittings Colours



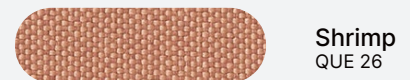
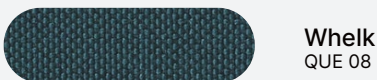
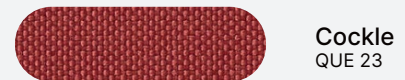
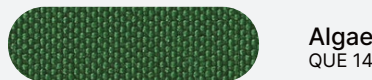
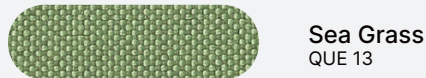
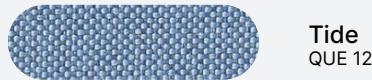
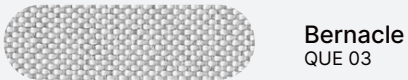
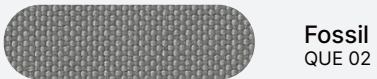
Fixed Table Tabletop Colours

Fenix NTM matte laminate with bevelled plywood edge.



Textile Colours (Cover Panels & Side Trims)

QUEST - Eco-friendly fabric from Camira.




Best Features & High-End Materials

silen

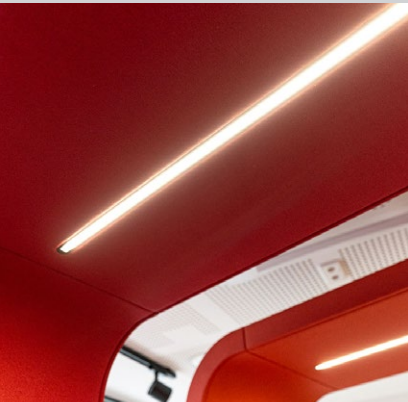


Bridges Portal / Connect

◀ **Arches**
Acoustically-enhanced arcs.



◀ **Connections**
Wall / ceiling / Space booth metal connectors and fittings.



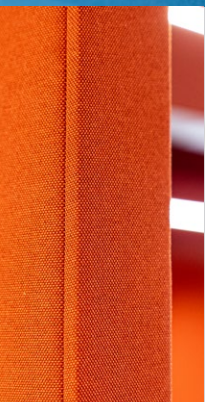
Lights ▶
Energy efficient LED lights controlled by the presence detectors.



Bridges Bond



Bridges Connect



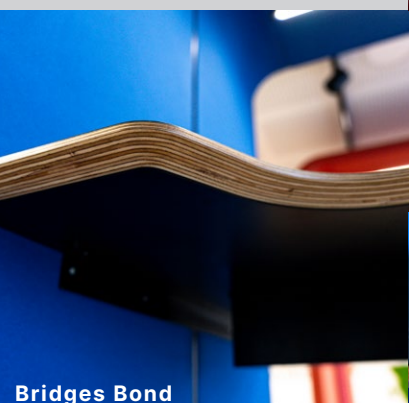
◀ **Exterior**
Laminated wood exterior sides and trims.



Aluminum Profiles & Gasket ▶
For doors, glass wall and inside connections.



▲ **Panels & Side Trims**
Acoustic panels covered with 100% recycled textile from Quest fabric selection.

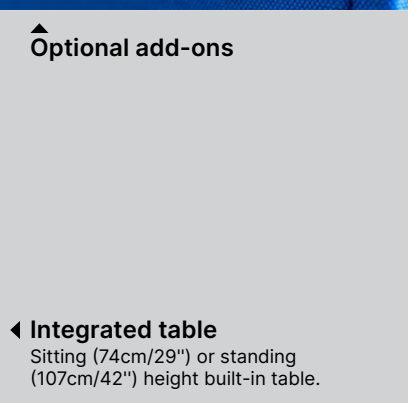


Cable hatch & tray ▶
Hatch with a cable tray under the table, including 110V socket.

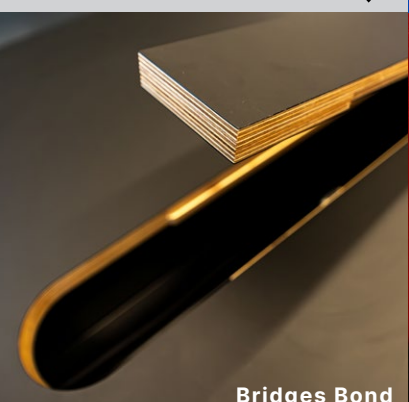


Bridges Bond

▲ **Optional add-ons**



◀ **Integrated table**
Sitting (74cm/29") or standing (107cm/42") height built-in table.



◀ **Plinth**
Painted steel base with adjustable legs for leveling and stability.



Integrated Power Outlet ▶
2 × 110 V + USB + USB-C.



Bridges Bond



